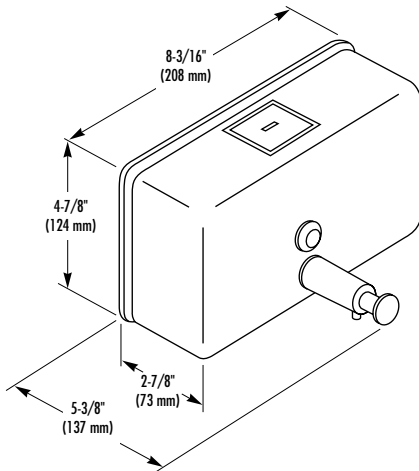
 When installed as specified below, unit meets Barrier-Free requirements

SOAP DISPENSER

- Tank Type – Horizontal
- Surface Mounted
- ADA Compliant

Bradex™



CONSTRUCTION:

- **BODY** fabricated of type 304 (18-8), 20 gauge stainless steel with exposed surfaces in architectural satin finish.
- **BACK** fabricated of type 304 (18-8), 20 gauge stainless steel. Heliarc welded to the body.
- **WALL PLATE** of heavy gauge stainless steel.
- **SOAP VALVE** has chrome plated brass housing with ABS plastic mechanism.

CAPACITY:

40 oz. liquid soap.

OPERATION:

Push-in valve dispenses measured amount of vegetable or coconut oil liquid soaps, synthetic detergents, and antiseptic solutions with less than 5 lbs. of force. Locked filler top opens with special key provided.

NOTE: Bradley liquid and lather soap valves operate best with any vegetable oil or coconut oil hand soap having a 10 to 15 percent soap concentration.

INSTALLATION:

Secure separate mounting bracket to wall. Slide dispenser into place and secure locking screw through filler hole.

OPTIONAL FEATURES:

Feature	Suffix
<input type="checkbox"/> Lather soap valve in lieu of liquid	-13

NOTE: Lather soap valves reduce amount of soap dispensed and should not be expected to produce a large amount of foam.

GUIDE SPECIFICATION:

Surface mounted liquid soap dispenser shall be fabricated of 20 gauge satin finish stainless steel. Dispenser shall have completely concealed mounting, vandal-resistant filler hole cover and sight gauge. Push-in corrosion-resistant liquid soap valve. Capacity: 40 oz. liquid soap. Operate with less than 5 lbs. of force.

Overall dimensions: 8-3/16"W x 4-7/8"H x 2-7/8"D.

Surface Mounted Liquid Soap Dispenser shall be Bradley Model 6542.

Document No. 8680

This information is subject to change without formal notice.
© 2004 Bradley Corporation
7-24-2006

Orders composed of products indicated as **Bradex™** will be available to ship in one week after receipt of order at the factory. There is no pricing penalty for this service from Bradley.

Bradley 

P.O. Box 309, Menomonee Falls, WI 53052-0309
Phone 1-800-BRADLEY FAX 262-253-4161
Web Site: <http://www.bradleycorp.com>