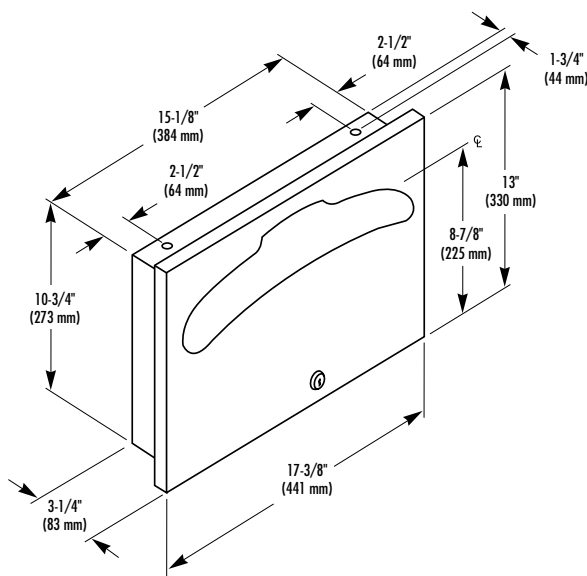




This unit meets "Barrier Free" requirements when mounted in accordance with local ordinances.

SEAT COVER DISPENSER

- Contemporary Series – Satin Finish
- Recessed



CONSTRUCTION:

- **CABINET** fabricated of type 304 (18-8), 22 gauge stainless steel with exposed surfaces in architectural satin finish. Welded construction with burr-free edges.
- **DOOR** fabricated of type 304 (18-8), 18 gauge stainless steel. 1/2" return for maximum rigidity. Concealed full length stainless steel piano hinge and tumbler lock keyed like other Bradley units.

CAPACITY:

500 standard single-fold or half-fold toilet seat covers.

OPERATION:

Cabinet accepts standard package of 500 seat covers.

INSTALLATION:

Requires rough wall opening 15-5/8"W x 11-1/4"H x 2-3/4"D. Top of wall opening 4'-10" from finished floor. Secure to framing with mounting screws (included) at holes provided. Shim at screw points as required.

GUIDE SPECIFICATION:

Recessed seat cover dispenser shall be fabricated of type 304 (18-8), heavy gauge stainless steel with exposed surfaces in satin finish. Cabinet door of 18 gauge stainless steel and secured by tumbler lock.

Overall dimensions: 17-3/8"W x 13"H x 3-1/4"D.

Seat Cover Dispenser shall be Bradley Model 5847.

Document No. 8575

This information is subject to change without formal notice.
© 2007 Bradley Corporation
4-4-2007



P.O. Box 309, Menomonee Falls, WI 53052-0309
Phone 1-800-BRADLEY FAX 262-253-4161
Web Site: <http://www.bradleycorp.com>