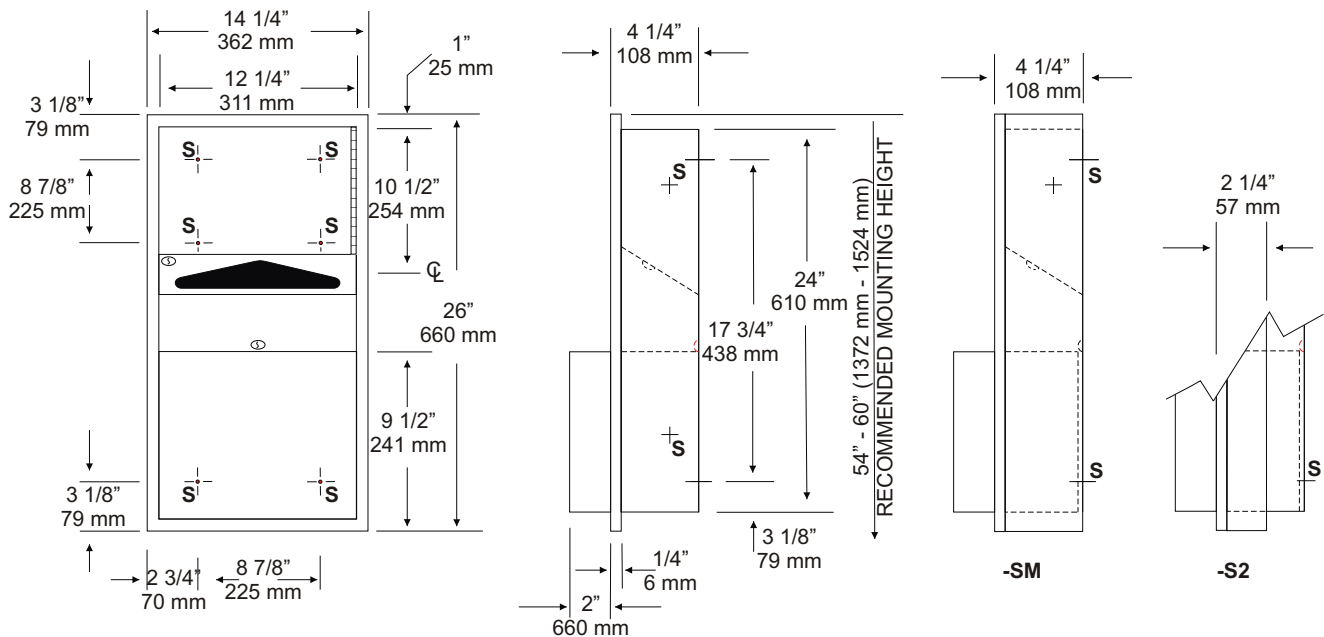


**U627
 TOWEL DISPENSER/
 EXTENDED WASTE RECEPTACLE**

JOB #:
 ITEM #:
 QTY:



SPECIFICATIONS:

Body: Type 304 322 ga stainless steel.
Flange: Type 304 #22 ga stainless steel with #4 satin finish and 1/4" returns to wall. (No miters or welds)
Cabinet Back: Type 304 stainless steel formed for rigidity with multiple welds to cabinet body.
Cabinet Door: Type 304 #22 ga stainless steel with #4 satin finish with full length door stop to prevent vandalism
Towel Dispenser: Dispensing area has hemmed edges to prevent injury and towel tearing.
Removable Waste: Type 304 #22 ga stainless steel removable waste with radius and hemmed edges. Waste is secured by means of a pin tumbler lock with embossed tabs for liners.
Hinges: Heavy duty, full length, stainless steel piano type hinge.
Lock: Pin tumbler commercial quality keyed like all other A & J cabinets.
Collars: Type 304 #22 ga #4 satin finish stainless steel finished to match cabinet body.

U627: Recessed w/2" extended waste

Overall Size: 14 1/4"W x 26"H x 6 1/4"D
 362mm x 660mm x 159mm

Wall Opening: 12 3/4"W x 24 1/2"H x 4"D
 324mm x 622mm x 102mm

Capacity: Towels: 350 C-Fold or 475 Multifold
 Waste: 2.65 gallons (.38 cu ft)

INSTALLATION:

Coordinate installation with contractor and architect to avoid interference with pipes vents etc... Provide a rough wall opening 12 3/4"W x 24 1/2"H. Wall opening depth will depend on style mounting. Remove waste in install unit in opening. Make sure cabinet will sit flush in wall and secure with proper fasteners per application. Secure waste back into cabinet and load paper towels.

U627-S2: Semi-rec with 2" collar, 2" wall open. 51mm.

U627-SM: Surface mounted with full skirt.

Optional: VL3: re-usable liner.

APPLICATION:

To provide a combination paper towel dispenser and extended removable waste receptacle. Personalized size type unit is ideal for low traffic public areas. Mounted properly, unit will comply with ADA code.

