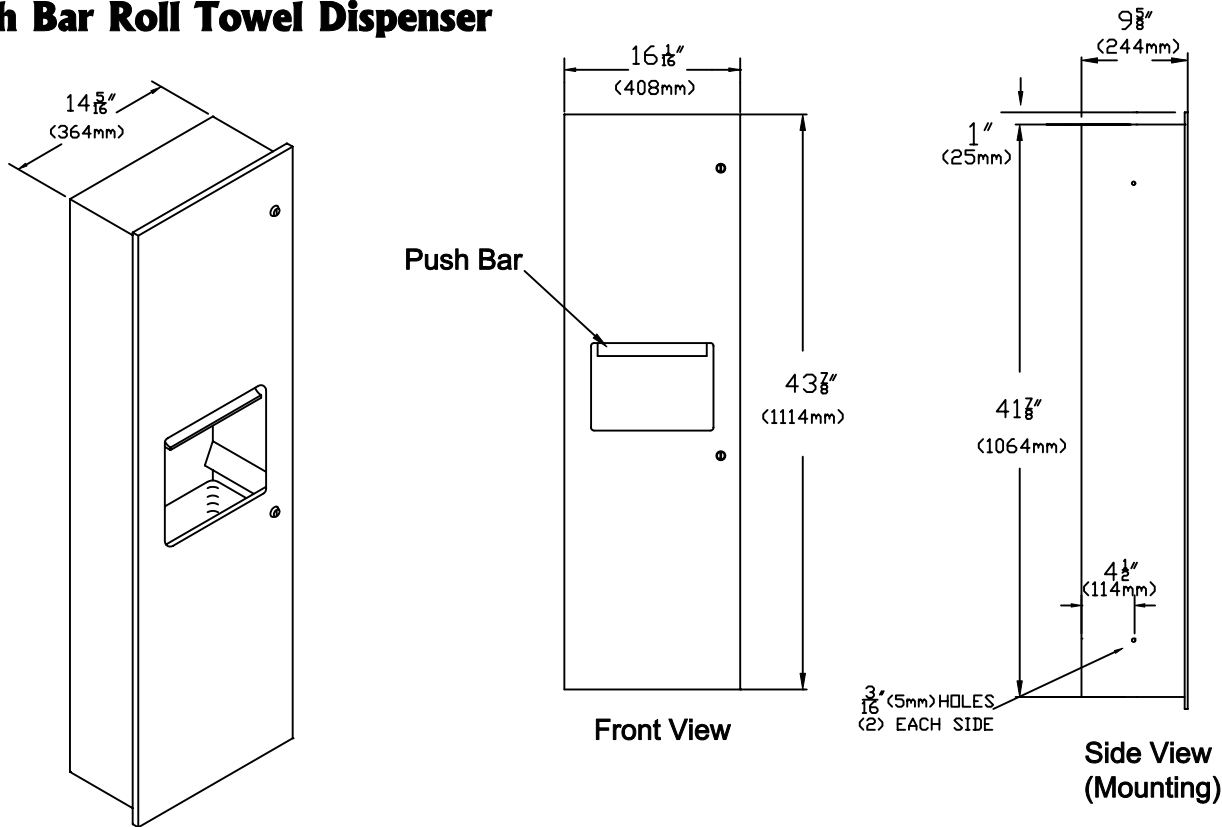


TW-12RP "Coverall" Roll Towel Dispenser and Waste Receptacle Push Bar Roll Towel Dispenser



Specifications:

Unit fabricated of type 304 stainless steel with exposed surfaces satin finished. One piece seamless door construction, EXTRA HEAVY 18 gauge with 5/8" return for rigidity. Door is mounted to cabine with continuous stainless steel piano hinge and fitted with two tumbler locks. Removeable stainless steel waste container. All welded constructed.

Capacity:

Accepts universal roll paper

$7\frac{3}{4}"$ to 8" wide up to 8" in diameter. $1\frac{1}{2}"$ (38mm) to 2" (51mm) core
197mm to 203mm wide up to 203mm in diameter

Waste capacity is $8\frac{1}{2}$ gallons

Overall Dimensions:

$16\frac{1}{16}"$ W x $43\frac{7}{8}"$ H x $9\frac{5}{8}"$ D
408mm x 1114mm x 244mm

Wall Opening:

$14\frac{5}{16}"$ W x $42\frac{3}{8}"$ H x 9"D Min.
371mm x 1073mm x 229mm