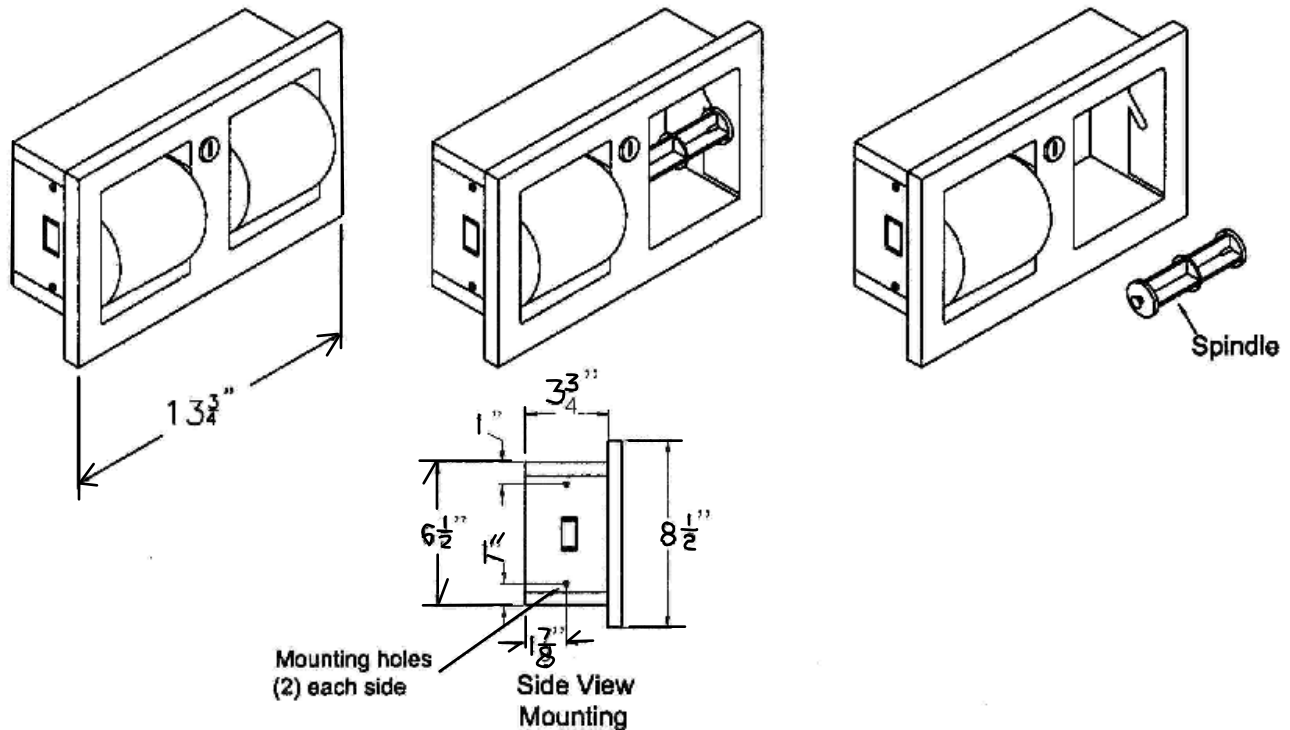




## TTD-9 Recessed Multi-Roll Toilet Tissue Dispenser



### Construction:

Unit fabricated of type 304 stainless steel with exposed surfaces satin finished. Door fabricated of EXTRA HEAVY 18 gauge and is mounted to cabinet with continuous stainless steel piano hinge, and fitted with tumbler lock. Unit accepts two rolls of 1500 sheet rolls.

### Overall Dimensions:

13  $\frac{3}{4}$ " W x 8  $\frac{1}{2}$ " H x 4  $\frac{1}{2}$ " D

### Wall Opening:

12  $\frac{1}{2}$ " W x 7" H x 4" D min. depth

### Mounting Height:

30" to the top of unit.

*Manufacturer reserves the right to make changes in design or dimensions without formal notice.*