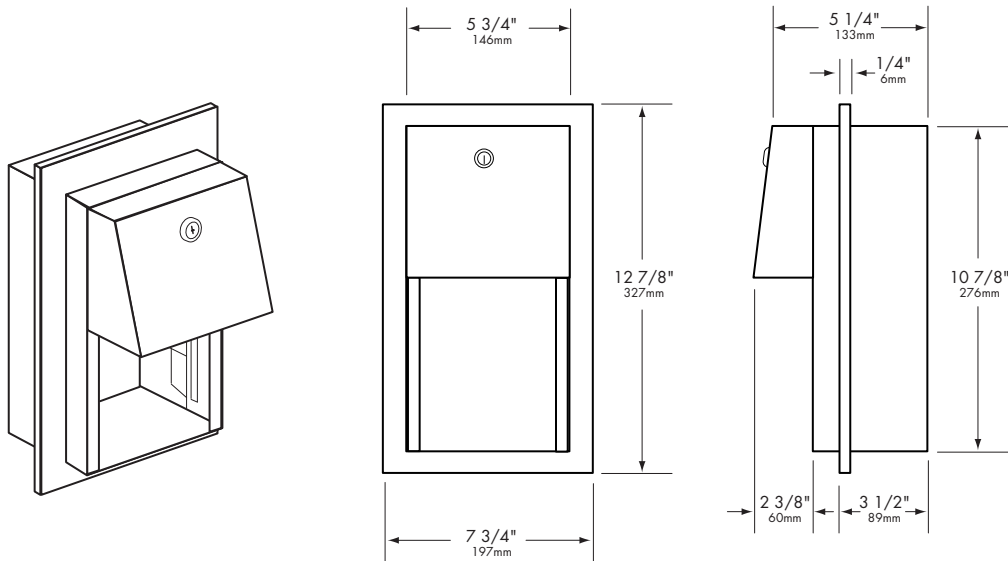




## TTD-6 Toilet Tissue Dispenser



### Construction:

Cabinet - fabricated of 18" (1.2mm) and 22 gauge (0.8mm), 18-8 type 304 stainless steel with exposed surfaces #4 satin finished. All welded construction.

Door - fabricated of 18 gauge (1.2mm) 18-8 type 304 stainless steel with exposed surfaces #4 satin finished. Door attached with heavy duty rivets and is fitted with tumbler lock

Flange: fabricated of 22 gauge (0.8mm), 18-8 type 304 stainless steel with #4 satin finish with 90° return for extra rigidity, one piece seamless flange.

Dispensing Mechanism and Inner Cabinet - fabricated of 18 gauge (1.2mm) and 22 gauge (0.8mm), 18-8 type 304 stainless steel.

Spindles - one piece molded ABS polyethylene with stainless steel tips to prevent damage when roll automatically drops in place. Roller can not be removed when door is locked.

Toilet tissue rolls are loaded and locked into dispensing mechanism. Extra roll automatically drops in place after bottom roll is depleted. Depleted rolls can only be removed after unlocking door.

### Capacity:

Two rolls up to 5-1/4" (135mm) diameter, 1800 sheets

### Installation:

Provide framed wall opening recessed depth required from finish face of wall is 3-3/8" (86mm). Check plans and coordinate with mechanical engineer to avoid protrusion from opposite wall, pipes, conduits, electrical wiring etc. if installing in plaster wall recommend grounding. If installing where unit projects above top of wainscot, provide filler to prevent gap from finishes, wall and flange of unit. If installing in block walls, use metal expansion shields. 1/8" (3mm) gap recommended between units for door clearance. Mount 37" (940mm) to top of unit.

### Overall Dimensions:

7-3/4"W x 12-7/8"H x 6"D  
197mm x 327mm x 152mm

### Wall Opening:

6-1/4"W x 11-1/4"H x 3-3/8"D  
159mm x 286mm x 86mm

### ADA Guide:

ADA mounting guide: toilet tissue rolls should be mounted with forward edge no more than 36" (914mm) from the back wall of stall. All toilet tissue dispensers should be mounted with their horizontal centerline at least 19" (483mm) above the finished floor.

*Manufacturer reserves the right to make changes in design or dimensions without formal notice.*