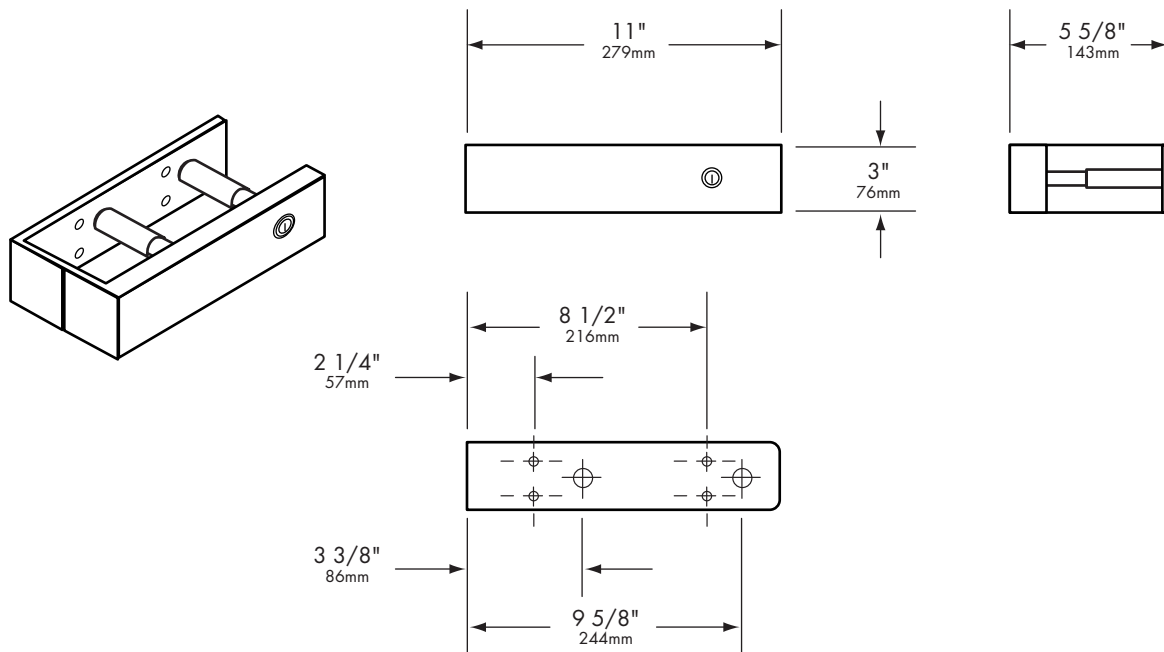




TTD-10 Double Roll Toilet Tissue Dispenser



Construction:

Fabricated of 18 (1.2mm) and 12 (3mm) gauge, 18-8 type 304 stainless steel with exposed surfaces #4 satin finished. Door attached to wall plate with continuous stainless steel piano hinge and fitted with tumbler lock. Stainless steel rollers are heliarc welded to base plate. Unit accepts two roll of 1500 sheet rolls as well as the special 6" (152mm) diameter VALEY brand toilet tissue

Capacity:

6" diameter rolls, 1800 sheets (2 rolls)

Installation:

Mount unit on wall with two #10 x 1-1/4" (4.8 x 32mm) sheet-metal screws. For plaster or dry wall construction, provide concealed backing to comply with local building codes, then secure unit with sheet-metal screws. For other wall surfaces, provide fiber plugs or expansion shields for use with sheet-metal screws, or provide 1/8" (3mm) toggle bolts or expansion bolts.

Overall Dimensions:

11" (279mm)W x 3" (76mm)H x 5-5/8" (143mm)D

ADA Guide:

Toilet tissue rolls should be mounted with forward edge no more than 36" (914mm) from the back wall of stall. All toilet tissue dispensers should be mounted with their horizontal centerline at least 19" (483mm) above the finish floor.

Notes:

Wood blocking is preferable behind all wall surfaces. If wood blocking is not available, the following fasteners are suggested:

Tile/Masonry - Plastic or lead anchors

Plaster/Drywall - Toggle bolts

Manufacturer reserves the right to make changes in design or dimensions without formal notice.