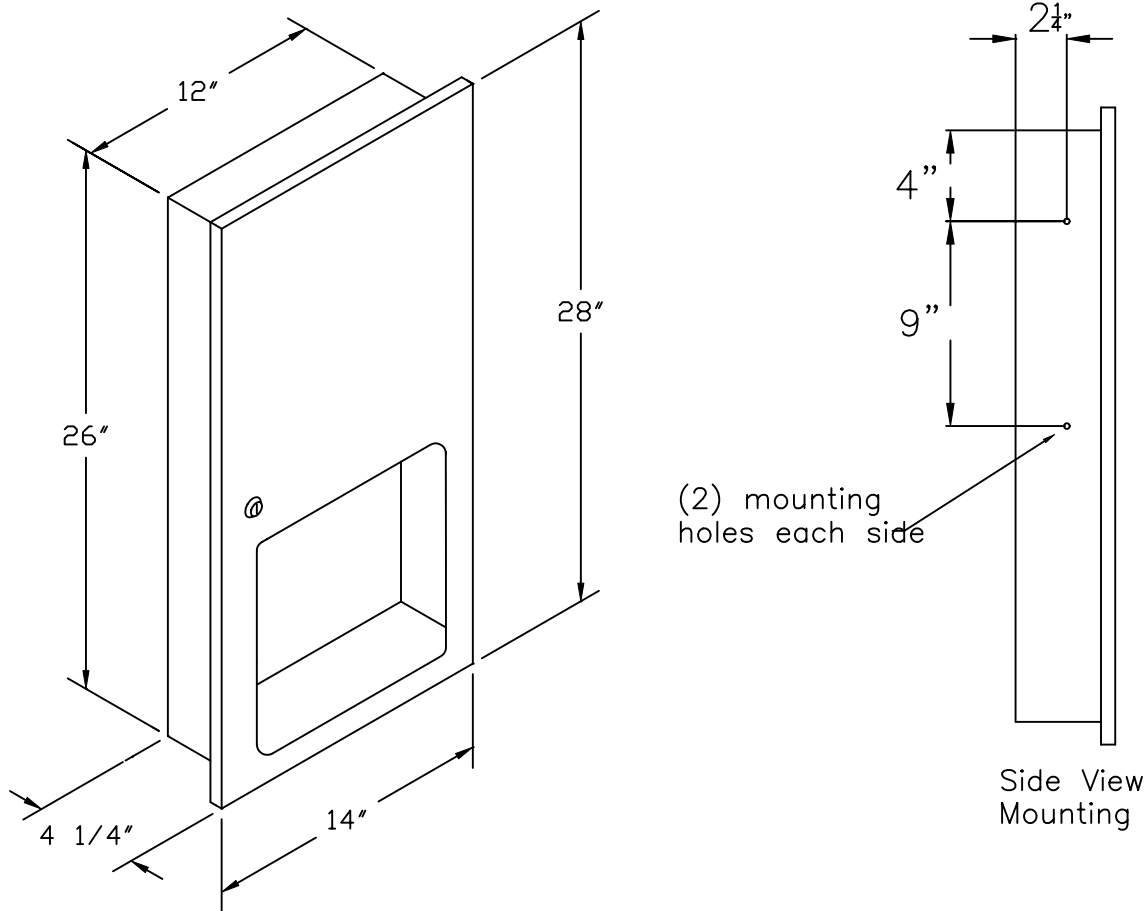


TD-7 "COVERALL" Towel Dispenser



Specifications:

Unit fabricated of type 304 stainless steel with exposed surfaces satin finished. One piece seamless door construction, EXTRA HEAVY 18 gauge with 5/8" return for rigidity. Door is mounted to cabinet with continuous stainless steel piano hinge and is fitted with tumbler lock. All welded construction.

Capacity:

600 C-fold or 800 multi-fold towels

Overall Dimensions:

14"W x 28"H x 4 1/4"D

Wall Opening:

12 1/2"W x 26 1/2"H x 3 3/4"D

Mounting Height:

77" to top of unit, 58" for handicapped