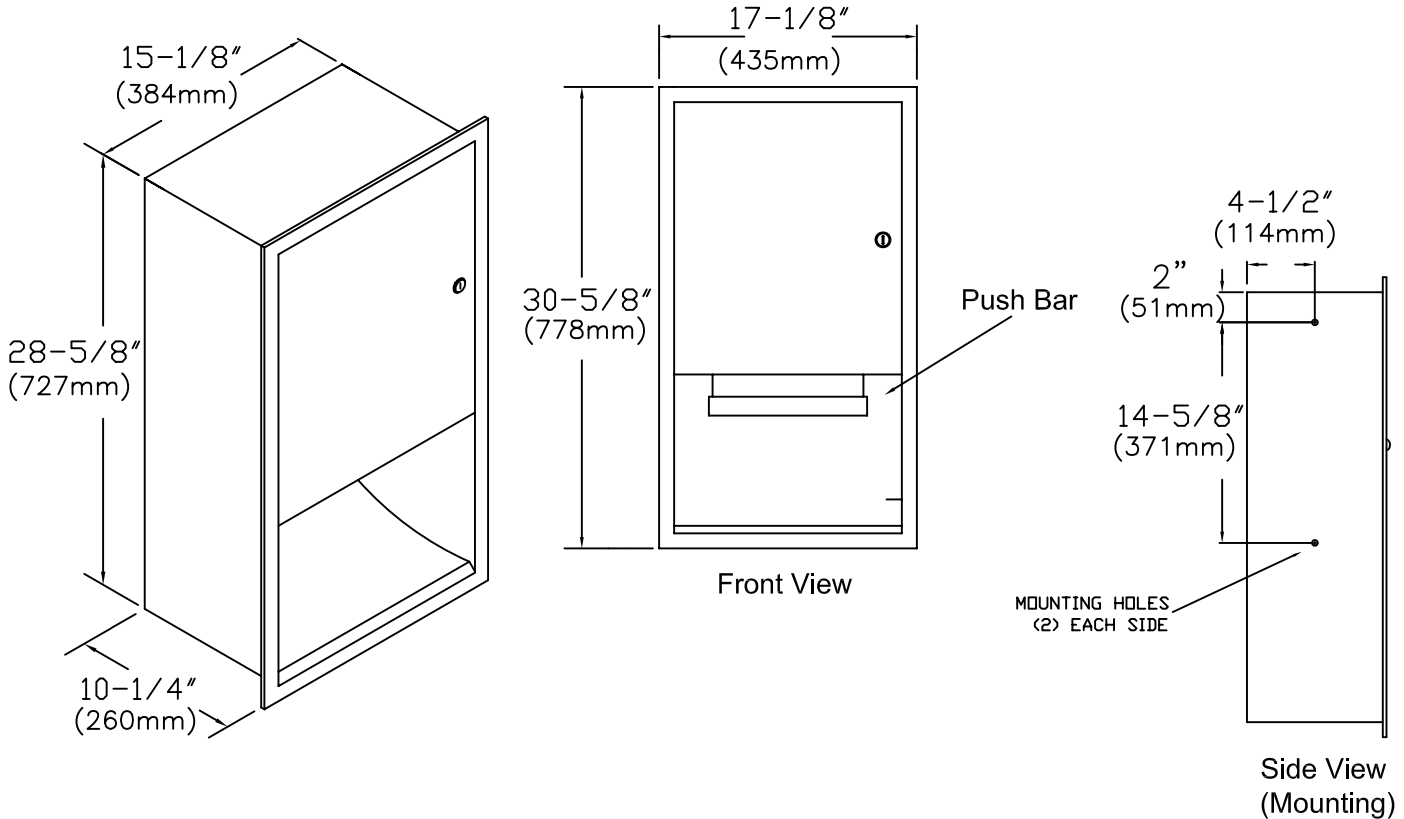




TD-10RP Recessed Towel Dispenser Push Bar Roll Towel Dispenser



Specifications:

Unit fabricated of type 304 stainless steel with exposed surfaces satin finished. One piece seamless flange with 1/4" return for rigidity. EXTRA HEAVY 18 gauge door mounted to cabinet with full length stainless steel piano hinge and fitted with tumbler lock. All welded construction.

Capacity:

Accepts universal roll paper
 7³/₄" to 8" wide up to 8" in diameter
 197mm to 203mm wide up to 203mm in diameter

Overall Dimensions:

17¹/₈"W x 30⁵/₈"H x 10¹/₄"D
 435mm x 778mm x 260mm

Wall Opening:

15⁵/₈"W x 29¹/₈"H x 10"D Min.
 384mm x 740mm x 254mm