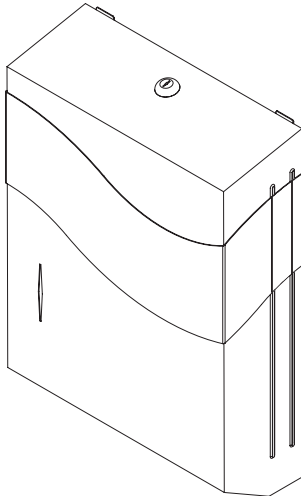


FREQUENCY TOWEL DISPENSER

- Surface-Mounted
- C-Fold/Multi-Fold Towels
- Tumbler Lock



CONSTRUCTION:

- **UNIT** fabricated of type heavy duty, 22 gauge stainless steel with exposed surfaces in architectural satin finish. Smooth corners, free of burrs and sharp edges. Tumbler lock keyed like other Bradley units. Cabinet hinged at bottom to allow easy filling. Refill indicator slot on face of cabinet. Rolled edge on dispenser opening. Wave pattern accent.

CAPACITY:

525 multi-fold or 400 C-fold paper towels.

OPERATION:

Unit holds multi-fold or C-fold towels without use of special adaptor.

INSTALLATION:

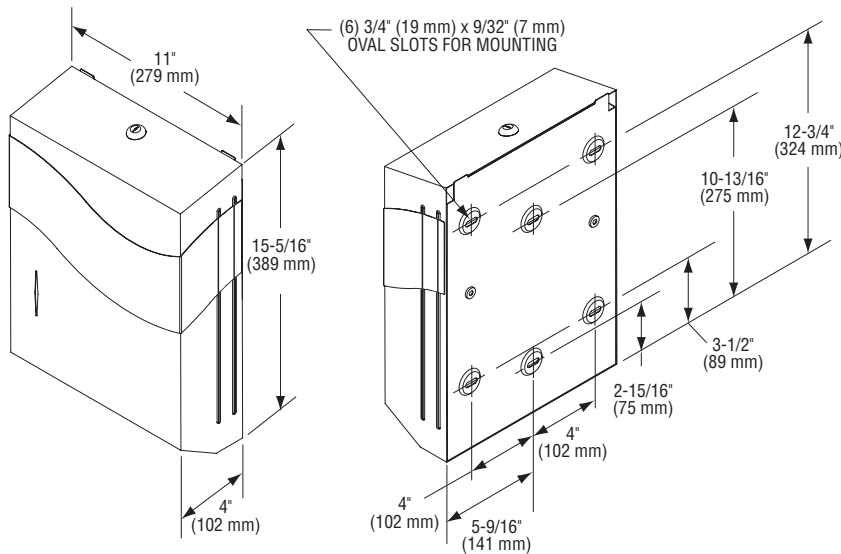
Secure to wall with mounting screws (included) at holes provided.

GUIDE SPECIFICATION:

Surface-mounted towel dispenser shall be fabricated of type heavy duty, 22 gauge stainless steel with exposed surfaces in satin finish. Refill indicator on face of cabinet. Tumbler lock to secure hinged front panel. Towel dispenser capacity 525 multi-fold or 400 C-fold towels. Wave pattern accent.

Overall dimensions: 11" W x 15-5/16" H x 4" D.

Surface-Mounted Towel Dispenser shall be Bradley Model 250W-15.



Document No. 8217

This information is subject to change without formal notice.
© 2007 Bradley Corporation
3-28-2007



P.O. Box 309, Menomonee Falls, WI 53052-0309
Phone 1-800-BRADLEY FAX 262-253-4161
Web Site: <http://www.bradleycorp.com>