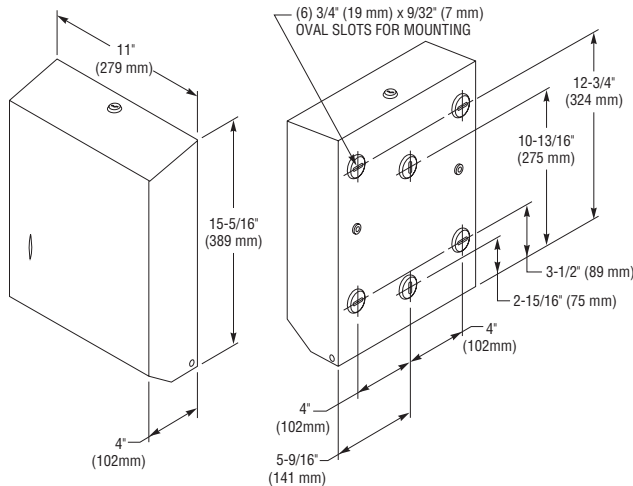




This unit meets "Barrier Free" requirements when mounted in accordance with local ordinances.

TOWEL DISPENSER

- Surface-Mounted
- C-Fold/Multi-Fold Towels
- White Enamel Finish



CONSTRUCTION:

- UNIT fabricated of 20 gauge electrolytically coated corrosion-resistant steel with white baked enamel finish. Smooth corners, free of burrs and sharp edges. Tumbler lock at rear of top. Cabinet hinged at bottom to allow easy filling. Refill indicator slot on face of cabinet. Rolled edge on dispenser opening.

CAPACITY:

500 multi-fold or 300 C-fold paper towels.

OPERATION:

Unit holds multi-fold or C-fold towels without use of special adaptor.

INSTALLATION:

Secure to wall with mounting screws (included) at holes provided.

GUIDE SPECIFICATION:

Surface-mounted towel dispenser shall be fabricated of 20 gauge electrolytically coated corrosion-resistant steel with white baked enamel finish. Refill indicator on face of cabinet. Tumbler lock to secure hinged front cabinet.

Towel dispenser capacity 500 multi-fold or 300 C-fold towels.

Overall dimensions: 11"W x 15-1/4"H x 4"D.

Surface-Mounted Towel Dispenser shall be Bradley Model 250-33.

Document No. 8210

This information is subject to change without formal notice.
© 2007 Bradley Corporation
3-28-2007



P.O. Box 309, Menomonee Falls, WI 53052-0309
Phone 1-800-BRADLEY FAX 262-253-4161
Web Site: <http://www.bradleycorp.com>