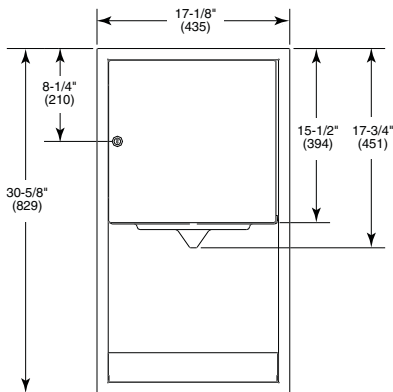
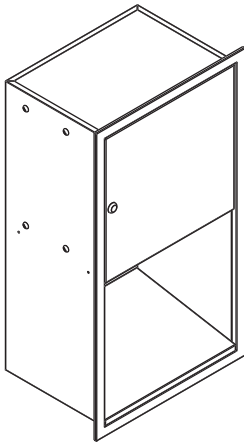




This unit meets "Barrier Free" requirements when mounted in accordance with local ordinances.

TOWEL DISPENSER

- Center Pull Towel Dispenser
- Model 2479 – Recessed (recesses 11-1/8")
- Model 2479-10 – Semi-recessed (recesses 3-1/2", projects 8")



CONSTRUCTION:

- **CABINET** fabricated of type 304 (18-8), 22 gauge stainless steel with exposed surfaces in satin finish. All welded construction.
- **DOOR** fabricated of type 304 (18-8), 18 gauge stainless steel with exposed surfaces in satin finish. Door secured with full length stainless steel piano hinge and tumbler lock keyed like other Bradley accessory items.
- **TOWEL DISPENSER** Fabricated of black ABS plastic.

CAPACITY:

One standard core center pull towel roll up to 9" wide x 9" diameter.

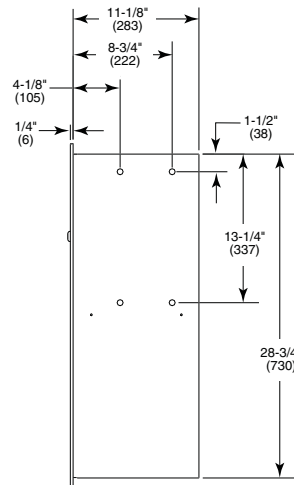
INSTALLATION:

Recessed unit requires rough wall opening 15-3/16"W x 28-3/4"H x 11-1/8"D (Semi-recessed unit requires 3-1/2"D). Top of wall opening 77" max above finished floor. Secure to framing with mounting screws (included) at holes provided. Shim at screw points as required.

GUIDE SPECIFICATION:

Recessed or semi-recessed towel dispenser shall be fabricated of type 304 (18-8), stainless steel with exposed surfaces in satin finish. Cabinet door shall have full length piano hinge and be secured with tumbler lock. Towel dispenser to accommodate one standard center pull paper towel roll up to 9" wide x 9" diameter.

Overall dimensions: 17-1/8"W x 30-5/8"H x 11-1/8"D.



Document No. 8196

This information is subject to change without formal notice.
© 2007 Bradley Corporation
4-5-2007

Bradley

P.O. Box 309, Menomonee Falls, WI 53052-0309
Phone 1-800-BRADLEY FAX 262-253-4161
Web Site: <http://www.bradleycorp.com>