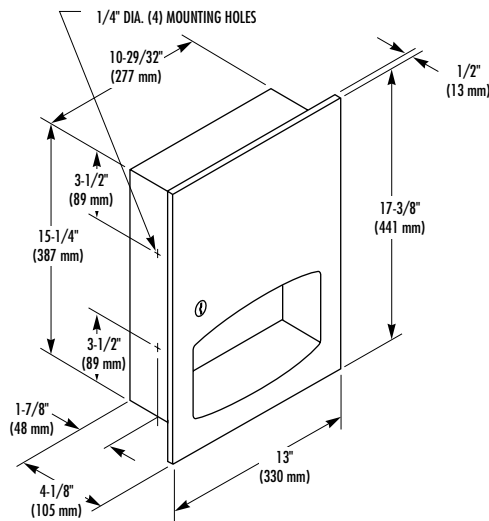




This unit meets "Barrier Free" requirements when mounted in accordance with local ordinances.

TOWEL DISPENSER

- Contemporary Series – Satin Finish
- Model 2442 – Recessed **Bradex**[®]
- Model 2442-10 – Semi-recessed (recesses 2-1/8"; projects 2")
- Model 2442-11 – Surface-Mounted (projects 4-1/8")



CONSTRUCTION:

- **CABINET** fabricated of type 304 (18-8), 22 gauge stainless steel with exposed surfaces in architectural satin finish. Welded construction with seamless corners and burr-free edges.
- **DOOR** fabricated of type 304 (18-8), 18 gauge stainless steel. 1/2" return for maximum rigidity. Concealed full length stainless steel piano hinge and tumbler lock keyed like other Bradley units.
- **TOWEL DISPENSER** fabricated of type 304 (18-8), 22 gauge stainless steel. Rolled edge on dispenser opening.

CAPACITY:

400 multi-fold or 300 C-fold paper towels.

OPERATION:

Towel dispenser holds multi-fold or C-fold towels without use of special adaptor.

INSTALLATION:

Recessed unit requires rough wall opening 11-13/32"W x 15-3/4"H x 4"D (Semi-recessed unit only 2-1/8" deep). Top of opening 5'-7" above finished floor. Secure to framing with mounting screws (included) at holes provided. Shim at screw points as required.

GUIDE SPECIFICATION:

Recessed towel dispenser shall be fabricated of heavy gauge type 304 (18-8), stainless steel with exposed surfaces in satin finish. Cabinet door of 18 gauge stainless steel with full length piano hinge and secured by tumbler lock. Towel dispenser capacity 400 multi-fold or 300 C-fold towels.

Overall dimensions: 13"W x 17-3/8"H x 4-1/8"D.

Recessed Towel Dispenser shall be Bradley Model 2442.

Document No. 8160

This information is subject to change without formal notice.
© 2007 Bradley Corporation
3-28-2007

Orders composed of products indicated as **Bradex**[®] will be available to ship in one week after receipt of order at the factory. There is no pricing penalty for this service from Bradley.

Bradley 

P.O. Box 309, Menomonee Falls, WI 53052-0309
Phone 1-800-BRADLEY FAX 262-253-4161
Web Site: <http://www.bradleycorp.com>