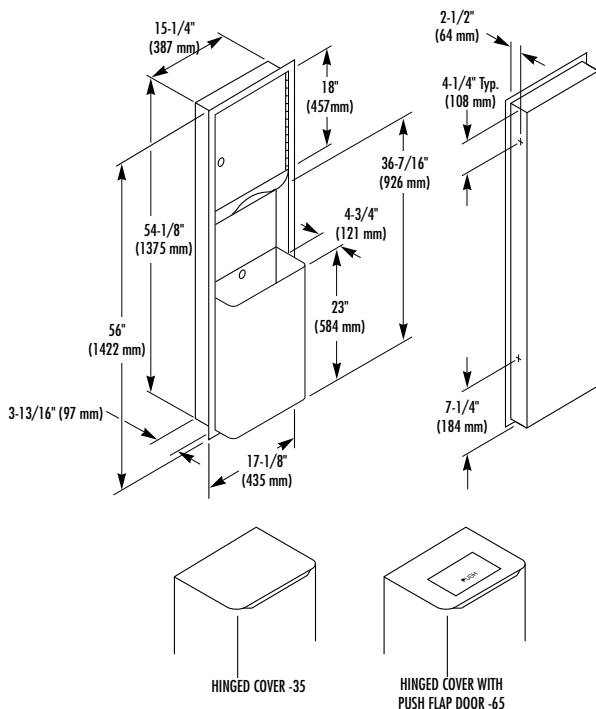


# TOWEL DISPENSER/ WASTE RECEPTACLE

- Model 234 – Recessed **Bradex**® (recesses 4", projects 4-3/4")
- Model 234-10 – Semi-recessed **Bradex**® (recesses 2"; projects 6-3/4")
- Model 234-11 – Surface-Mounted **Bradex**® (projects 8-3/4")



## CONSTRUCTION:

- **FLANGE** fabricated of type 304 (18-8), 22 gauge stainless steel with exposed surfaces in architectural satin finish. One piece seamless construction, 1" wide with 1/4" return.
- **CABINET** fabricated of type 304 (18-8), 22 gauge stainless steel with exposed surfaces in architectural satin finish. Welded construction with seamless corners and burr-free edges.
- **DOOR** fabricated of type 304 (18-8), 18 gauge stainless steel. Warp resistant, with full length piano hinge and tumbler lock keyed like other Bradley units.
- **TOWEL DISPENSER** fabricated of type 304 (18-8), 22 gauge stainless steel. Rolled edge on dispenser opening.
- **WASTE CONTAINER** fabricated of type heavy duty, 22 gauge stainless steel. All welded construction. Secured to cabinet with tumbler lock keyed like other Bradley units.
- **LINER** (optional) heavy duty stitched vinyl coated nylon. Part # P11-004.
- **HINGED COVER** (optional) fabricated of type 304 (18-8), 22 gauge stainless steel with exposed surfaces in architectural satin finish. Heavy duty stainless steel piano hinge.
- **PUSH FLAP DOOR** (optional) fabricated of type 304 (18-8), 22 gauge stainless steel with exposed surfaces in architectural satin finish. Heavy duty stainless steel piano hinge. Self-closing flap door is embossed "PUSH".

## CAPACITY:

Towel Dispenser-800 multi-fold or 600 C-fold paper towels; Waste Container-12 gal. (1.6 cu. ft.).

## OPERATION:

Towel dispenser holds multi-fold or C-fold towels without use of special adaptor. Receptacle removable for servicing by unlocking waste container.

## INSTALLATION:

Recessed unit requires rough wall opening 15-3/4"W x 54-1/2"H x 4"D (Semi-recessed unit only 2" deep). Top of wall opening 5'-2" min. to 6'-5" max. above finished floor. For Barrier-Free application, top of wall opening 4'-11" above finished floor. Secure to framing with mounting screws (included) at holes provided. Shim at screw points as required. Surface-Mounted units need to have holes drilled by installer. Mounting screws are included.

## OPTIONAL FEATURES:

Feature	Suffix
<input type="checkbox"/> Hinged cover	-35
<input type="checkbox"/> Hinged cover with push flap door	-65
<input type="checkbox"/> Large capacity waste receptacle - 18 gal. (Not ADA compliant)	-36
<input type="checkbox"/> Vinyl Liner Part # P11-004	

## GUIDE SPECIFICATION:

Recessed combination towel dispenser and waste receptacle shall be fabricated of type 304 (18-8), 22 gauge stainless steel with exposed surfaces in satin finish. Towel cabinet door of warp-free construction, equipped with piano hinge and secured by tumbler lock. Towel dispenser capacity 800 multi-fold or 600 C-fold towels. Removable 12 gal. stainless steel waste receptacle. Reusable vinyl liner is optional.

Overall dimensions: 17-1/8"W x 56"H x 8-3/4"D.

**Recessed Combination Towel Dispenser and Waste Receptacle shall be Bradley Model 234.**

Orders composed of products indicated as **Bradex**® will be available to ship in one week after receipt of order at the factory. There is no pricing penalty for this service from Bradley.



P.O. Box 309, Menomonee Falls, WI 53052-0309  
Phone 1-800-BRADLEY FAX 262-253-4161  
Web Site: <http://www.bradleycorp.com>