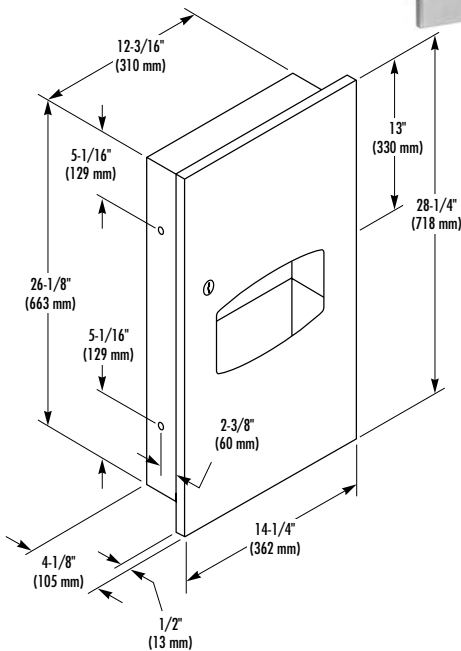




This unit meets "Barrier Free" requirements when mounted in accordance with local ordinances.

# TOWEL DISPENSER/ WASTE RECEPTACLE

- Contemporary Series – Satin Finish
- Model 2297 – Recessed **Bradlex**®
- Model 2297-10 – Semi-recessed (recesses 1-5/8"; projects 2-1/2")
- Model 2297-11 – Surface-Mounted (projects 4-1/8")



## CONSTRUCTION:

- **CABINET** fabricated of type 304 (18-8), 22 gauge stainless steel with exposed surfaces in architectural satin finish. Welded construction with seamless corners and burr-free edges.
- **DOOR** fabricated of type 304 (18-8), 18 gauge stainless steel, 1/2" return for maximum rigidity. Concealed full length stainless steel piano hinge and tumbler lock keyed like other Bradley units.
- **TOWEL DISPENSER** fabricated of type 304 (18-8), 22 gauge stainless steel. Rolled edge on dispenser opening.
- **WASTE RECEPTACLE INSERT** fabricated of leakproof molded plastic.

## CAPACITY:

Towel Dispenser-475 multi-fold or 350 C-fold paper towels; Waste Receptacle Insert-1.7 gal. (.22 cu. ft.).

## OPERATION:

Towel dispenser holds multi-fold or C-fold towels without use of special adaptor. Waste receptacle insert removable by unlocking cabinet door.

## INSTALLATION:

Recessed unit requires rough wall opening 12-11/16"W x 26-5/8"H x 4"D (Semi-recessed unit only 1-3/4" deep). Top of wall opening 6'-5" above finished floor. Secure to framing with mounting screws (included) at holes provided. Shim at screw points as required.

## GUIDE SPECIFICATION:

Recessed combination towel dispenser and waste receptacle shall be fabricated of type 304 (18-8), heavy gauge stainless steel with exposed surfaces in satin finish. Cabinet door of 18 gauge stainless steel with full length concealed piano hinge and secured by tumbler lock. Towel dispenser capacity 475 multi-fold or 350 C-fold towels. Removable 1.7 gal. leakproof molded plastic insert for waste receptacle.

Overall dimensions: 14-1/4"W x 28-1/4"H x 4-1/8"D.

**Recessed Combination Towel Dispenser and Waste Receptacle shall be Bradley Model 2297.**

Orders composed of products indicated as **Bradlex**® will be available to ship in one week after receipt of order at the factory. There is no pricing penalty for this service from Bradley.



P.O. Box 309, Menomonee Falls, WI 53052-0309  
Phone 1-800-BRADLEY FAX 262-253-4161  
Web Site: <http://www.bradleycorp.com>

Document No. 8120

This information is subject to change without formal notice.  
© 2007 Bradley Corporation  
3-27-2007