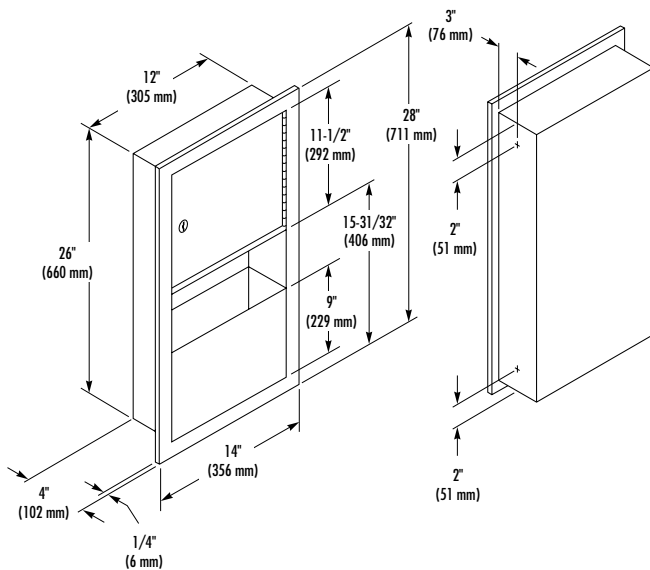


TOWEL DISPENSER/ WASTE RECEPTACLE

- Model 2291 – Recessed **Bradlex**[®]
- Model 2291-10 – Semi-recessed (recesses 2"; projects 2")
- Model 2291-11 – Surface-Mounted **Bradlex**[®] (projects 4")



CONSTRUCTION:

- **FLANGE** fabricated of type 304 (18-8), 22 gauge stainless steel with exposed surfaces in architectural satin finish. One piece seamless construction, 1" wide with 1/4" return.
- **CABINET** fabricated of type 304 (18-8), 26 gauge stainless steel. All welded construction.
- **DOOR** fabricated of type 304 (18-8), 22 gauge stainless steel. Warp resistant with full length piano hinge and tumbler lock keyed like other Bradley units.
- **TOWEL DISPENSER** fabricated of type 304 (18-8), 22 gauge stainless steel.
- **WASTE RECEPTACLE INSERT** fabricated of type 304 (18-8), 22 gauge stainless steel.

CAPACITY:

Towel Dispenser-475 multi-fold or 350 C-fold paper towels; Waste Receptacle-2 gal. (.3 cu. ft.).

OPERATION:

Towel dispenser holds multi-fold or C-fold towels without use of special adaptor. Waste receptacle removable for easy servicing.

INSTALLATION:

Recessed unit requires rough wall opening 12-1/2"W x 26-1/2"H x 4"D (Semi-recessed unit only 2" deep). Top of wall opening 5'-11" above finished floor. Secure to framing with mounting screws (included) at holes provided. Shim at screw points as required.

GUIDE SPECIFICATION:

Recessed combination towel dispenser and waste receptacle shall be fabricated of type 304 (18-8), stainless steel with exposed surfaces in satin finish. Door of nonflexing construction, equipped with full length piano hinge and tumbler lock. Towel dispenser capacity 475 multi-fold or 350 C-fold towels. Removable 2 gal. stainless steel waste receptacle.

Overall dimensions: 14"W x 28"H x 4"D.

Recessed Combination Towel Dispenser and Waste Receptacle shall be Bradley Model 2291.

Orders composed of products indicated as **Bradlex**[®] will be available to ship in one week after receipt of order at the factory. There is no pricing penalty for this service from Bradley.



P.O. Box 309, Menomonee Falls, WI 53052-0309
Phone 1-800-BRADLEY FAX 262-253-4161
Web Site: <http://www.bradleycorp.com>

Document No. 8115

This information is subject to change without formal notice.
© 2007 Bradley Corporation
3-27-2007