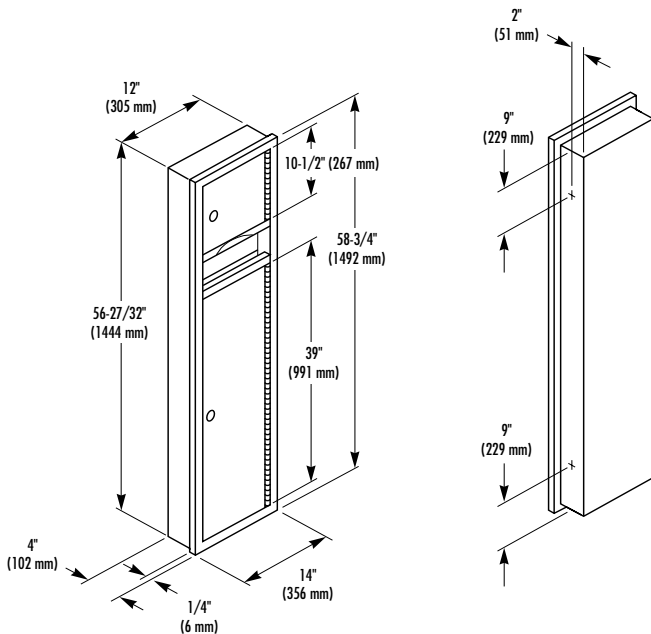


TOWEL DISPENSER/ WASTE RECEPTACLE

- Model 2251 – Recessed
- Model 2251-10 – Semi-recessed
(recesses 2"; projects 2")
- Model 2251-11 – Surface-Mounted
(projects 4")



CONSTRUCTION:

- **FLANGE** fabricated of type 304 (18-8), 22 gauge stainless steel with exposed surfaces in architectural satin finish. One piece seamless construction, 1" wide with 1/4" return.
- **CABINET** fabricated of type 304 (18-8), 22 gauge stainless steel with exposed surfaces in architectural satin finish. Welded construction with seamless corners and burr-free edges.
- **DOORS** fabricated of type 304 (18-8), 18 gauge stainless steel, warp resistant, with full length piano hinge and tumbler lock keyed like other Bradley units.
- **TOWEL DISPENSER** fabricated of type 304 (18-8), 22 gauge stainless steel. Rolled edge on dispenser opening.
- **WASTE RECEPTACLE INSERT** fabricated of leakproof molded plastic.

CAPACITY:

Towel Dispenser-450 multi-fold or 250 C-fold paper towels; Waste Receptacle Insert-5.3 gal. (.71 cu. ft.)

OPERATION:

Towel dispenser holds multi-fold or C-fold towels without use of special adaptor. Waste receptacle insert removable by unlocking receptacle door.

INSTALLATION:

Recessed unit requires rough wall opening 12-1/2"W x 57-11/32"H x 4"D (Semi-recessed unit only 2" deep). Top of wall opening 6'-5" above finished floor. Secure to framing with mounting screws (included) at holes provided. Shim at screw points as required.

GUIDE SPECIFICATION:

Recessed combination towel dispenser and waste receptacle shall be fabricated of type 304 (18-8), 22 gauge stainless steel with exposed surfaces in satin finish. Doors of nonflexing construction, equipped with full length piano hinges and tumbler locks. Towel dispenser capacity 450 multi-fold or 250 C-fold towels. Removable 5.3 gal. leakproof molded plastic insert for waste receptacle.

Overall dimensions: 14"W x 58-3/4"H x 4"D.

Recessed Combination Towel Dispenser and Waste Receptacle shall be Bradley Model 2251.

Document No. 8085

This information is subject to change without formal notice.
© 2007 Bradley Corporation
3-26-2007

Bradley 

P.O. Box 309, Menomonee Falls, WI 53052-0309
Phone 1-800-BRADLEY FAX 262-253-4161
Web Site: <http://www.bradleycorp.com>