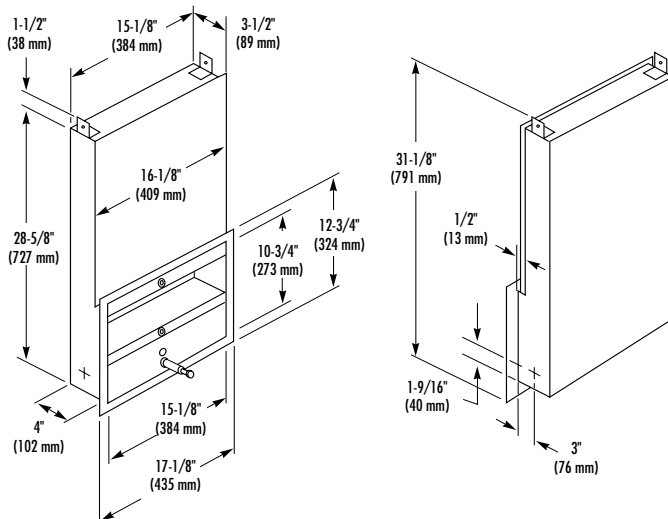




## MULTI-PURPOSE UNIT

- ADA Compliant
- For Installation Behind Wall or Mirror
- For 1/2" Thick Drywall Installations



### CONSTRUCTION:

- **CABINET** fabricated of type 304 (18-8), 26 gauge stainless steel.
- **FLANGE** fabricated of type 304 (18-8), 22 gauge stainless steel with exposed surfaces in architectural satin finish. One piece seamless construction, 1" wide with beveled edges.
- **TOWEL TRAY** fabricated of type 304 (18-8), 22 gauge stainless steel.
- **TOWEL DISPENSER** fabricated of type 304 (18-8), 22 gauge stainless steel piano hinge and tumbler lock. Rolled edge on dispenser opening.
- **EXTERIOR SHELF** fabricated of type 304 (18-8), 22 gauge stainless steel with an area of 60 sq. in.
- **SOAP DISPENSER** fabricated of type 304 (18-8), 22 gauge stainless steel with tumbler lock. Soap valve has chrome-plated brass housing with ABS plastic mechanism, and integral checks to prevent leakage. High impact polystyrene liner. Requires less than 5 lbs. force to dispense soap.
- **LOCKS** on towel and soap dispensers keyed like other Bradley units.

### CAPACITY:

Towel Dispenser – 800 multi-fold or 600 C-fold paper towels; Soap Dispenser – 100 oz. liquid soap.

### OPERATION:

Lock secures hinged towel dispenser lip which opens for refilling from bottom. Towel dispenser holds multi-fold or C-fold towels without use of special adaptor. Soap dispenser slides open for filling and cleaning. Sight gauge indicates refill time. Valve dispenses measured amount of liquid soap. Requires less than 5 lbs. force to dispense soap.

### INSTALLATION:

Requires rough wall opening 15-5/8"W x 30-1/4"H x 4"D. Install cabinet prior to installation of wall surface or mirror. Secure to framing with mounting screws (included) at holes provided. Shim at screw points as required.

### OPTIONAL FEATURES:

Feature	Suffix
<input type="checkbox"/> Lather soap valve in lieu of liquid	-13
<input type="checkbox"/> Two liquid soap valves	-14

**NOTE:** Lather soap valves reduce amount of soap dispensed and should not be expected to produce a large amount of foam.

### GUIDE SPECIFICATION:

Recessed multi-purpose unit (for behind wall or mirror installation) consisting of recessed towel dispenser, shelf and 100 oz. liquid soap dispenser shall be fabricated of type 304 (18-8), stainless steel with exposed surfaces in satin finish. Towel dispenser with piano hinge and tumbler lock. Towel dispenser capacity 800 multi-fold or 600 C-fold towels. Requires less than 5 lbs. force to dispense soap.

Overall dimensions: 17-1/8"W x 31-1/8"H x 4"D.

**Recessed Multi-Purpose Unit shall be Bradley Model 194.**

Document No. 8030

This information is subject to change without formal notice.  
© 2004 Bradley Corporation  
7-24-2006

**Bradley**

P.O. Box 309, Menomonee Falls, WI 53052-0309  
Phone 1-800-BRADLEY FAX 262-253-4161  
Web Site: <http://www.bradleycorp.com>