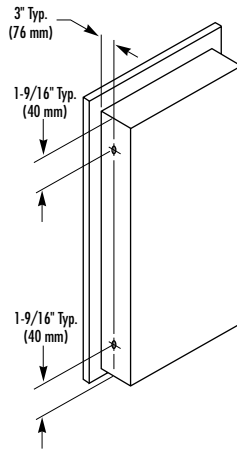
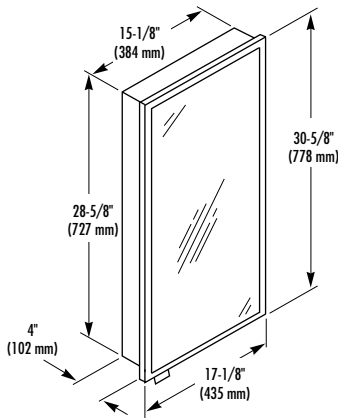
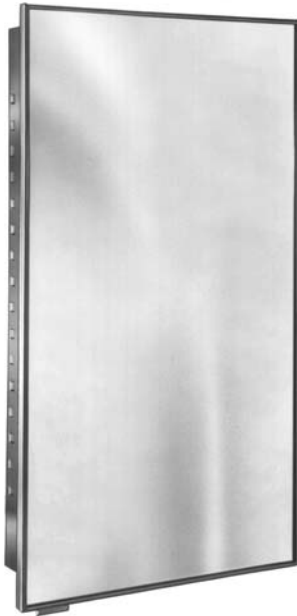


MEDICINE CABINET

- Full Size Mirror
- Reversible in Field
- Model 175 – Recessed
- Model 175-11 – Surface-Mounted (projects 4")



CONSTRUCTION:

- **FLANGE** fabricated of type 304 (18-8), 22 gauge stainless steel with exposed surfaces in architectural satin finish. One piece seamless construction, 1" wide with 1/4" return.
- **CABINET** fabricated of type 304 (18-8), 26 gauge stainless steel. Back of cabinet equipped with razor blade disposal slot.
- **DOOR** fabricated of type 304 (18-8), 22 gauge stainless steel, with heavy duty full length piano hinge. Equipped with magnetic catches and spring buffered rodstop.
- **MIRROR** of first quality 1/4" float glass triple-silvered, electro-copper plated with baked enamel backing, guaranteed for 15 years against silver spoilage. Protected by shock absorbing filler.
- **INTERIOR SHELVES** fabricated of type 304 (18-8), 22 gauge stainless steel. Four shelves – three adjustable, one fixed. Each shelf area is 60 sq. in.

OPERATION:

Spring buffered rodstop prevents door from opening beyond 90 degrees.

INSTALLATION:

Recessed unit requires rough wall opening 15-5/8"W x 29-1/8"H x 4"D. Top of wall opening 6'-1" above finished floor. Secure to framing with mounting screws (included) at holes provided. Shim at screw points as required. Cabinet may be inverted for left hand door swing.

OPTIONAL FEATURES:

Feature	Suffix
<input type="checkbox"/> Stainless steel door in lieu of mirror	-21
<input type="checkbox"/> Tempered glass in lieu of float glass	-22
<input type="checkbox"/> #8 Stainless steel mirror in lieu of glass	-23

NOTE: An inherent characteristic of a manufacturing process is distortion which may vary from mirror to mirror.

GUIDE SPECIFICATION:

Recessed medicine cabinet consisting of mirror and storage cabinet with four shelves shall be fabricated of type 304 (18-8) stainless steel with exposed surfaces in satin finish. Mirrored door with full length piano hinge. Interior of storage cabinet to have four shelves – three adjustable and one fixed. Adjustable for right or left hand door swing.

Overall dimensions: 17-1/8"W x 30-5/8"H x 4"D.

Recessed Medicine Cabinet shall be Bradley Model 175.

Document No. 8025

This information is subject to change without formal notice.
© 2007 Bradley Corporation
2-13-2007



P.O. Box 309, Menomonee Falls, WI 53052-0309
Phone 1-800-BRADLEY FAX 262-253-4161
Web Site: <http://www.bradleycorp.com>