

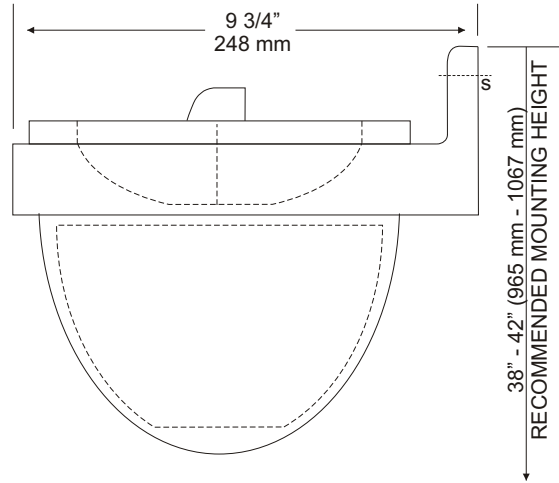
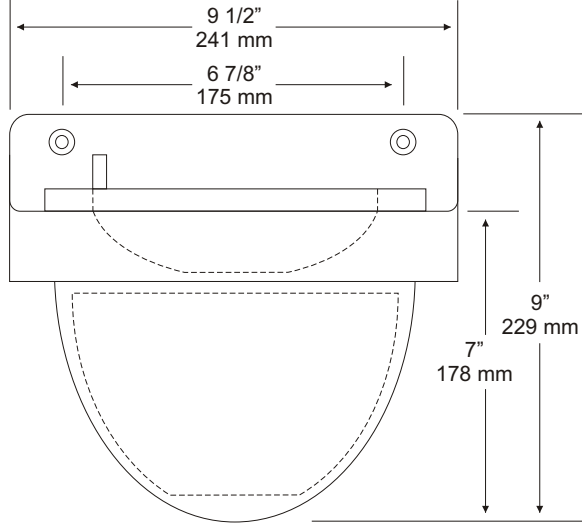
**U369  
 BULLET NOSE  
 ASH RECEPTACLE**

JOB #:

ITEM #:

QTY:

MOUNTING      HANDING      TYPE      SIZE      OTHER



**SPECIFICATIONS:**

**Mounting Bracket:** Fabricated of heavy duty aluminum casting in a #4 satin finish.  
**Flip Top Tray:** Fabricated of type 304 #22 gauge stainless steel with bowl shaped flipper blades in a #4 satin finish. When the button is activated the blades open up to deposit ashes into receptacle.  
**Receptacle Tray:** Removable tray fabricated of aluminum in the form of a bowl.

**U369:** Bullet Nose Ash Receptacle.  
**Overall Size:** 9 1/2"W x 9"H x 9 3/4"D  
 241mm x 229mm x 250mm

**INSTALLATION:**

Place unit on mounting surface at desired or specified location making sure unit is level. Transfer mounting points and drill pilot holes. Secure unit with proper fasteners per application.

**APPLICATION:**

To provide a surface mounted stainless steel ash receptacle with removable tray.



Form: U369/2000