

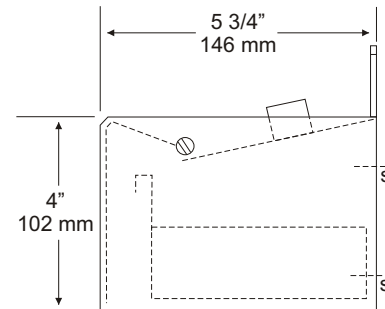
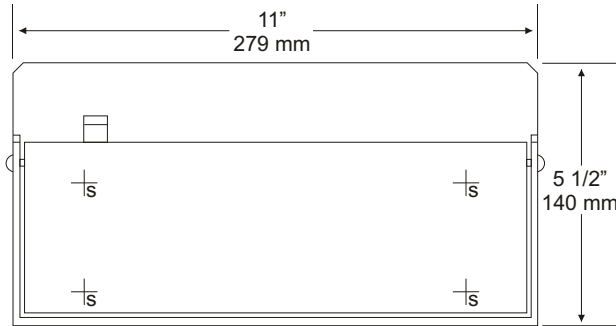
**U365, U366
 ASH RECEPTACLES
 (WALL MOUNTED)**

JOB #:

ITEM #:

QTY:

MOUNTING HANDING TYPE SIZE OTHER



U365

SPECIFICATIONS:

Body: Fabricated of type 304 #18 gauge stainless steel with a #4 satin finish on all exposed surfaces. Fully welded body provides a one piece structure for maximum strength and rigidity.

Access Doors: Fabricated of type 304 #22 gauge stainless steel finished to match body. Doors are hinged to body with theft resistant pivots.

Flipper Blades: Fabricated of type 304 #22 gauge stainless steel that are spring loaded to return to original position.

Removable Receptacle: Fabricated of pre-plated steel.

U365: Large Capacity Ash Receptacle

Overall Size: 11"W x 5 1/2"H x 5 3/4"D
 279mm x 140mm x 146mm

U366: Ash Receptacle

Overall Size: 7 1/2"W x 4"H x 4"D
 191mm x 102mm x 102mm

INSTALLATION:

Remove ash container from unit. Place unit on mounting surface at desired or specified location. Transfer mounting points and drill pilot holes. Secure receptacles with proper fasteners per application. Place removable receptacle back into disposal and close.

APPLICATION:

To provide a surface mounted stainless steel ash receptacle.



Form: U365/2000