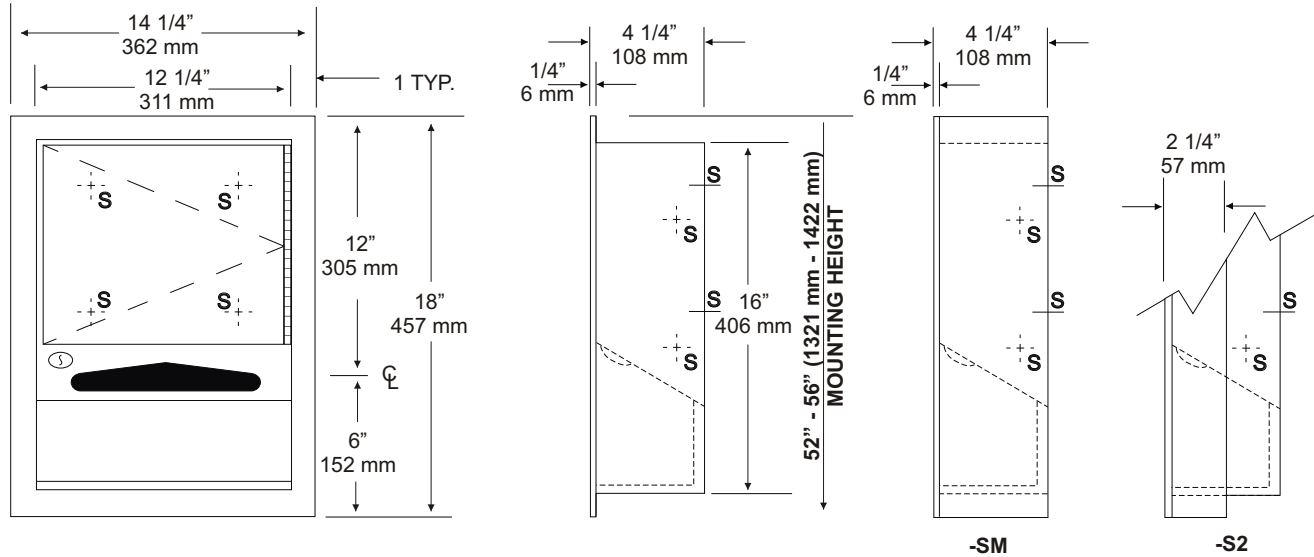


**U232**  
**TOWEL DISPENSER**  
 RECESSED

JOB #:

ITEM #:

QTY:



**SPECIFICATIONS:**

**Cabinet Body:** Fabricated of type 304 #22 ga stainless steel. Face trim is an integral part of body with a #4 satin finish and 1/4" returns to wall surface for rigidity. One piece construction without miters or welds.  
**Cabinet Door:** Type 304 #22 ga stainless steel with a #4 satin finish. Full length door stops protect door from vandalism.  
**Cabinet Back:** Fabricated of type 304 #22 ga stainless steel with multiple welds to cabinet body.  
**Towel Dispensing:** Hemmed edges that prevent injury and towel tearing.  
**Hinges:** Heavy duty, full length, stainless steel piano type hinge secured door to cabinet.  
**Lock:** Commercial quality, pin tumbler type lock keyed like all other A & J accessories.  
**Collars:** Fabricated of type 304 #22 ga stainless steel finished to match cabinet for surface or recess mounting.

**Overall Size:** 14 1/4"W x 18"W x 4 1/4"D  
 362mm x 457mm x 108mm  
**Wall Opening:** 12 3/4"W x 16 1/2"H x 4"D  
 324mm x 419mm x 102mm  
**Capacity:** 350 C-fold or 475 Multifold Towels

**U232-S2:** 2" Semi-recessed collar, 2" w/o 51mm.  
**U232-SM:** Full surface mounted collar.

**INSTALLATION:**

Coordinate installation with architect and contractor to avoid interference with pipes vents etc... in wall. Provide a rough wall opening 12 3/4"W x 16 1/2"H. See specification for proper wall depth opening. Slip on collars now if collars are required. Open cabinet and insert into wall opening. Secure with proper fasteners per each application. Fill unit with recommended towels, without overfilling. Make sure towels overlap each other so they will be available each time a towel is removed from dispensing area.

*Do not use abrasive cleaners or chloric solutions to clean cabinets.*

**APPLICATION:**

To provide a recessed towel dispenser that is ideal for low traffic areas where surface mounted cabinets are not required.

Form: U232/2000