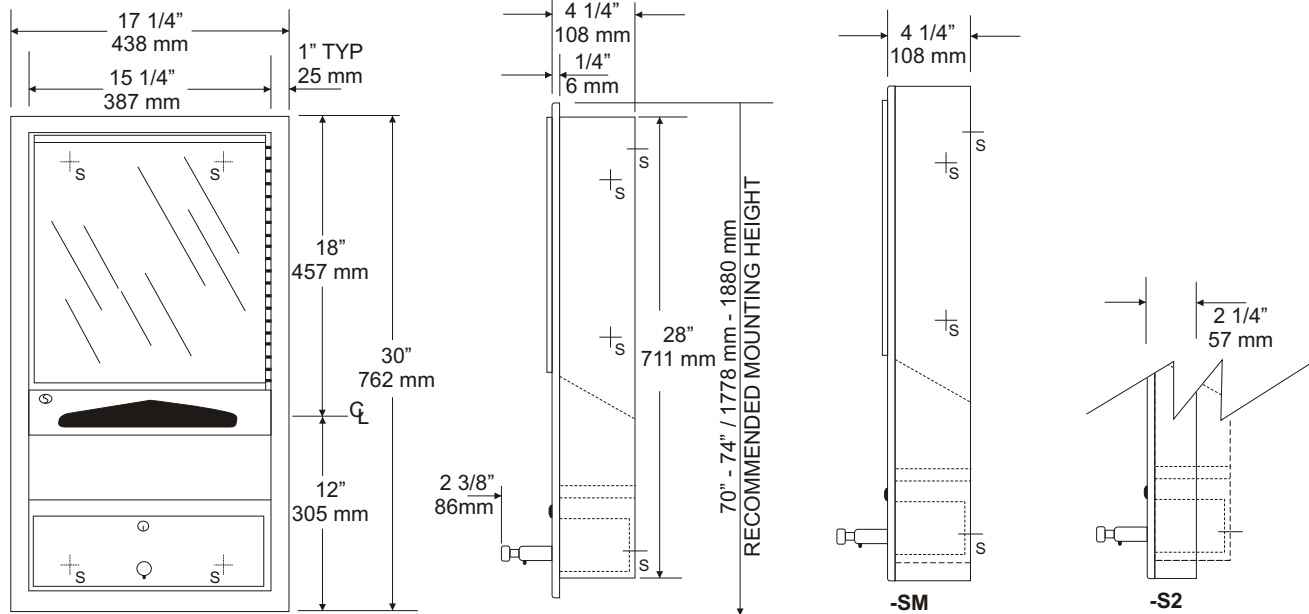


**U210
 COMBINATION UNIT
 RECESSED**

JOB #:

ITEM #:

QTY:



SPECIFICATIONS:

Cabinet Body: Type 304 #22 ga stainless steel with a #4 satin finish.
Flange: Type 304 #22 ga stainless steel with #4 satin finish. One piece construction without miters or welds, returns are 1/4" to wall for maximum rigidity.
Cabinet Back: Type 304 stainless steel with multiple welds to cabinet body for maximum rigidity.
Door: 1/4" plate glass with a 15 year warranty against silver spoilage, with top and bottom s/s channel.
Soap Tank: Type 304 #20 ga stainless steel fully welded construction. Removable for easy servicing and cleaning. All purpose chrome on brass bellows valve is included. Tank capacity is 100 fluid ounces.
Towel Dispenser: Hemmed edges to prevent towel tearing and injury.
Shelf: Type 304 #22 ga stainless steel #4 satin finish.
Hinges: Full length stainless steel piano type hinge.
Locks: Pin tumbler type, keyed like all other A&J items.
Collars: Type 304 #22 ga stainless steel finished to match cabinet for semi-recessing or surface mounting.

U210: Recessed Combination Unit
Overall Size: 17 1/4"W x 30"H x 4 1/4"D
 438mm x 762mm x 108mm
Wall Opening: 15 3/4"W x 28 1/2"H x 4"D
 400mm x 648mm x 102mm
Towel Capacity: 600 C-Fold or 800 Multifold

U210-S2: Semi-rec. 2" collar, w/ 2" (51mm) wall opening.
U210-SM: Surface mounted collar.

Optional Refill Indicator : Add Suffix, R

INSTALLATION:

Coordinate installation with architect or contractor to avoid interference with pipes, vents etc. Provide a wall opening 15 3/4"W x 28 1/2"H. Depth will depend on mounting style. See specifications. If a collar is required place over back of cabinet before placing into wall opening or mounting to surface. Place unit in wall opening making sure cabinet will be level. Secure with proper fasteners per application. Remove soap tank and fill with proper soap. Secure in cabinet and lock in place. Load the proper paper towels and avoid over filling.

Preventive maintenance: Each soap dispenser should be flushed out aprx. Every 30 days with warm water to avoid valve from clogging with old soap. Do not use abrasive cleaners to clean dispensers or cabinets.

APPLICATION:

To provide a combination mirror, towel dispenser soap dispenser and shelf in areas that have space restrictions.

Form: U210/2000